

INSTALLATION INSTRUCTION FAN COIL THERMOSTATS SMART CONTROL



INTRODUCTION

Thank you for selecting and buying V-TAC product. V-TAC will serve you the best. Please read these instructions carefully before starting the installation and keep this manual handy for future reference. If you have any another query, please contact our dealer or local vendor from whom you have purchased the product. They are trained and ready to serve you at the best.



Multi-Language Manual - QR CODE

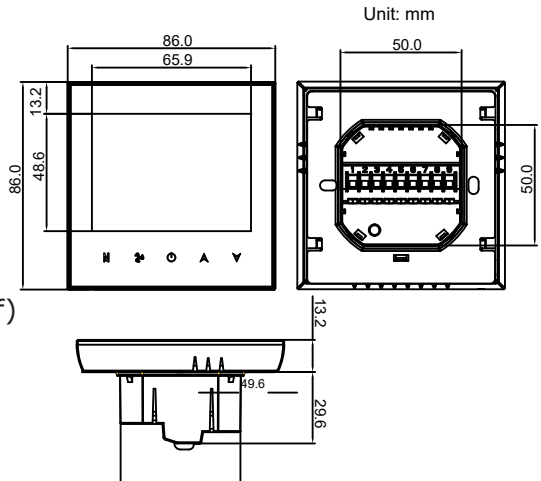
Please scan the QR code to access the manual in multiple languages.

TECHNICAL DATA

Power Supply: 95~240 VAC, 50/60Hz
Fan Relay Amps Resistance: 5A; Inductive: 3A
Valve Relay Amps Resistance: 3A; Inductive: 1A
Sensor: NTC 3950, 10K
Accuracy: $\pm 0.5^{\circ}\text{C}$
Set Temp. Range: 5-35 $^{\circ}\text{C}$
Display Temp. Range: 5~99 $^{\circ}\text{C}$
Ambient Temp.: 0~45 $^{\circ}\text{C}$
Ambient Humidity: 5~95%
RH (Non Condensing)
Storage Temp.: -5~ 45 $^{\circ}\text{C}$
Power Consumption: <1.5W
Timing Error: <1%
Shell Material: PC + ABS(Fireproof)
Wire Terminals: Wire 2 x 1.5mm²
or 1 x 2.5mm²
Protection Class: IP20

PACKAGE

Thermostat (1PC)
User Manual (1PC)
Screws (1PC)
Wall Plate (1PC)



FUNCTION

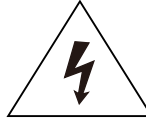
1. 0.5 $^{\circ}\text{C}$ Accuracy keeps temperature within the level you set
2. Data stored will be saved even when the device is turned off.
3. 5 weekdays + 2 weekends in programmable schedule and can set into 6 periods max per day.
4. Create thermostat group to centrally control.
5. Voice Control: Integrated with **Amazon Alexa and Google Assistant**
6. Supports device sharing.
7. All setting languages synchronize to your time zone, address and language.
8. No limit to add room.
9. Supports smart scene.
10. Unit size: 86mm hidden box and European 60mm round box is suitable

Warning!

- 1) Please make sure to turn off the power before starting the installation.
- 2) Check the ratings given in the instructions and on the product to make sure the product is suitable for your application.
- 3) Install only by certified Electrician.

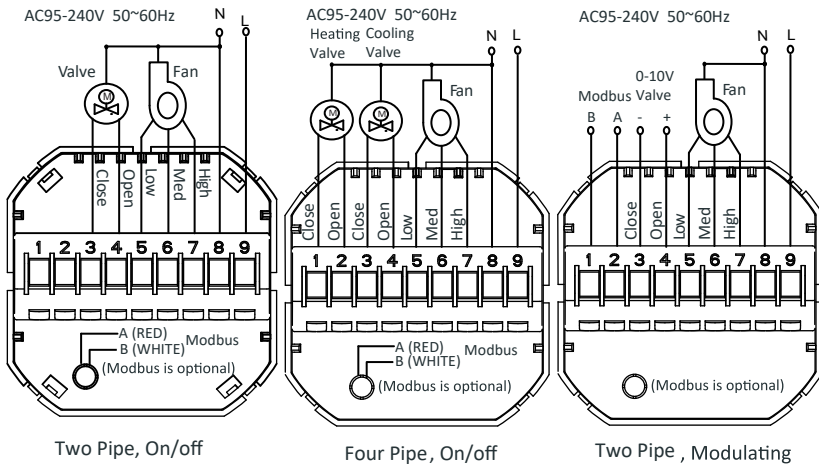


This marking indicates that this product should not be disposed of with other household wastes.



Caution, risk of electric shock.

WIRING DIAGRAM



INSTALLATION

Note: Thermostat is suitable for installation within a standard 86mm pattress box or European 60mm pattress box.

Step 1: Switch off the power before starting the installation (Refer to Fig1).

Step 2: Remove the mounting plate by rotating the LCD part (Refer to Fig2).

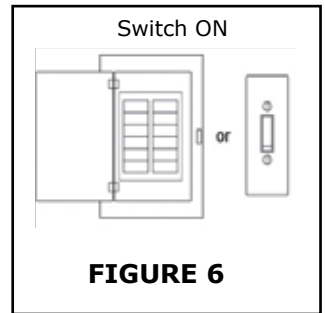
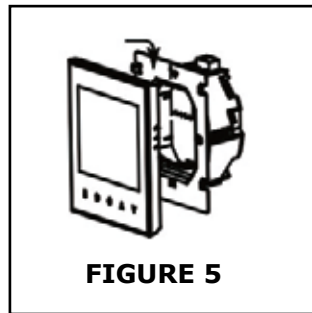
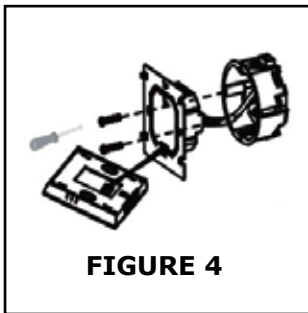
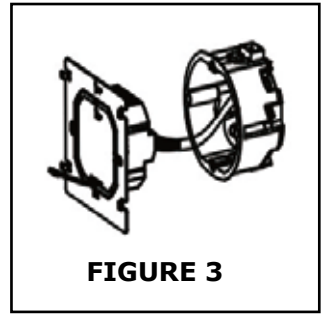
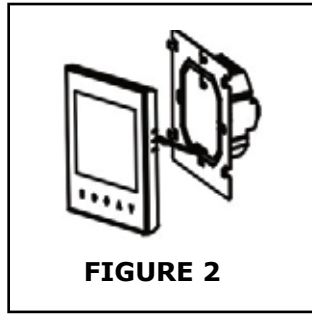
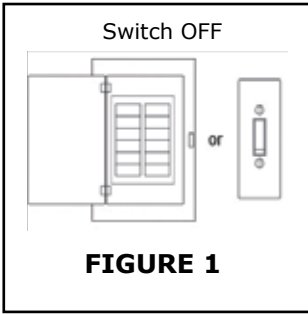
Step 3: Connect the wires according to the wiring diagram then connect the device to the power supply (Refer to Fig3).

Step 4: Fix the mounting plate into the wall then screw it properly inside the box (Refer to Fig4).

Step 5: Fasten the body of thermostat and the mounting plate (Refer to Fig5).

Step 6: Switch on the power and test the device.

INSTALLATION DIAGRAM



OVERVIEW

Room Temp. 88.8 F

Set Temp. 88.8 F

Valve On/off

Fan Speed

Week 1 2 3 4 5 6 7

Energy saving

Network

Heating On

Manual

Lock

Cooling

Heating

Ventilation

Sleeping

Period

Auto Fan

Timing On/Off

Clock

Mode Fan On/off Power Up Down

OPERATION

1. Power On/Off

- Press (⏻) power button to turn on/off the thermostat.

2. Manual & Programmable

- Press and hold (M) button, (🔌) flash icon will appear on the screen.
- Press (▲) arrow up button to select manual then press (▼) arrow down button to select weekly programmable

3. Temperature Settings

- Press (▲)(▼) arrow button to set the temperature. (🌡️) will display in the left corner of screen

4. Lock mode Settings

- Press and hold (▲)(▼) button for 5 seconds to lock/unlock your thermostat.
- In items 3 of high senior options, you can select full lock or half lock

5. Selecting the system mode

- Press (M) to change the system mode heating, cooling, and ventilation.
- In the Ventillation mode - the valve is off but the fan runs.

6. Setting the Fan Speed

- Press (🌀) button to select the fans speed options AUTO-HIGH-MED-LOW


7. Adjusting/Setting the Clock

- Press and hold (M) button, (🕒) will flash on the screen.
- Press (M) to set the MINUTE, HOUR, WEEKDAYS (1= Monday, 2= Tuesday, 3=Wednesday, 4=Thursday, 5=Friday, 6=Saturday, and 7=Sunday) by using the (▲)(▼) arrow button. After 3 seconds the value will be confirmed automatically.

8. Adjusting temperature in Weekly Programmable

- Press (M) button to do the adjustment of weekly programmable. Then press (M) button to change the different items. Press (▲) or (▼) to set relative values.
-

NOTE: Thermostat provides 6 scheduled heating and cooling periods each day - three comfort periods - 1, 3 & 5 (the temperature required when room is occupied) and three economical period - 2, 4 & 6 (the temperature required when room is unoccupied).

You can set both the time and temperature for each of these six daily periods. Adjusting /setting the schedules can only be carried out when in program mode. Press (**M**) button to change between manual mode and programmable mode. In manual mode, () icon will appear on the screen. Press the (**M**) button for 4x until the weekday schedule appear on the screen. Weekday schedule settings are 1,2,3,4, and 5. Use (**▲**)(**▼**) arrow button to control/adjust the time for the 1st period (Comfort). Then, press the (**M**) button and use the (**▲**)(**▼**) arrow button to set the desired temperature for 1st period. You can repeat this process in 2 - 6 periods. press (**M**) button once more to enter the weekend schedule settings (6 & 7 will show along the top of the screen). Repeat the above process to set the weekend schedule. Press (**M**) button once more to confirm and exit.

DEFAULT PROGRAM SCHEDULE SETTINGS

TIME DISPLAY	WEEKDAY (MON-FRI) (1 2 3 4 5 shows on screen)		WEEKEND (SAT) (6 shows on screen)		WEEKEND (SUN) (7 shows on screen)	
	TIME	TEMPERATURE	TIME	TEMPERATURE	TIME	TEMPERATURE
Period 1	06:00	20°C	06:00	20°C	06:00	20°C
Period 2	08:00	15°C	08:00	20°C	08:00	20°C
Period 3	11:30	15°C	11:30	20°C	11:30	20°C
Period 4	13:30	15°C	13:30	20°C	13:30	20°C
Period 5	17:00	22°C	17:00	20°C	17:00	20°C
Period 6	22:00	15°C	22:00	15°C	22:00	15°C

Note: Programmable mode - The set temperature and time cannot be adjusted.

FUNCTIONS & OPTIONS SETTINGS

When the power is off, press and hold (**M**) button and (**20**) Fan button at the same time for 5 seconds in order to reach the system function. Then, press (**M**) button to change the different items.

Note: All the settings will confirm automatically when power is on.

Code	Function	Setting & Options		Default
1	Temperature Compensation	-7 to 7°C		-1
2	Fan Control	00: When room temperature reaches the set point, the fan will turn off.	01: When room temperature reaches the set point, the fan will turn to low speed	0
3	Locking Button	00: All buttons are locked except power button.	01: All buttons are locked.	01
4	Heat / Cool	00: Cool Only	01: Heat/Cold	01
5	Min Set Temperature	5 to 15°C		05
6	Max Set Temperature	15 to 35°C		35
7	12/24 Hours	00: 12 Hours	01: 24 Hours	01
8	Display Mode	00: Display both set temperature and room temperature	01: Display set temperature only	00
9	Energy saving mode	00: Non-energy saving mode	01: Energy Saving mode, set temperature and keep economy temperature.	00
A	Heating economy temperature	10 to 30°C		20
B	Cooling economy temperature	10 to 30°C		26
C	Deadband temperature	1 to 5°C		1

APP INSTALLATION

Step 1: Turn the power button ON of the device.

Step 2: Scan the given QR code, or download "V-TAC Smart Light" from the App Store (iOS) or the Google Play Store (Android).

Step 3: Open the V-TAC Smart Light app and tap on register for creating a new account. If you already have an existing account, please proceed to please proceed to logging in (Ref Fig 1).

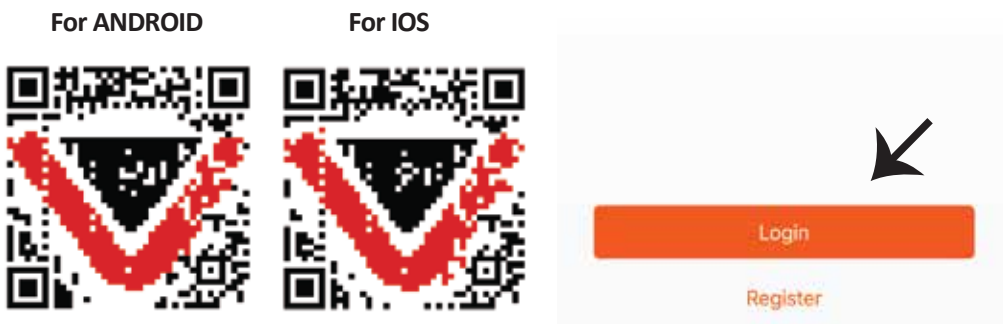


Fig 1

Step 4:

A) Mobile Number: Select the country, then enter your mobile number. Once done, tap 'Next' (Ref Fig 2).

B) E-Mail: Enter your email id and tap on 'Next' (Ref Fig 2).

Step 5: Enter the verification code which will be sent to your mobile number/email id, then assign a new password to your account and tap on "Confirm" to complete the registration process (Ref Fig 3). Once done you will be redirected to V-TAC Smart Light Home page.

Step 6: Tap on 'Add Device' or the + sign. Make sure the device is switched on.

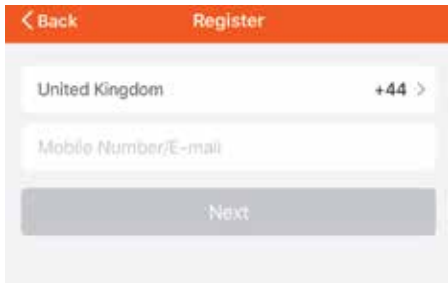


Fig 2

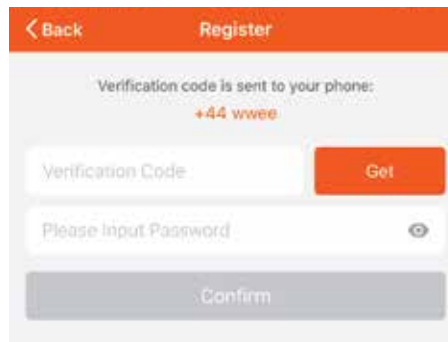


Fig 3

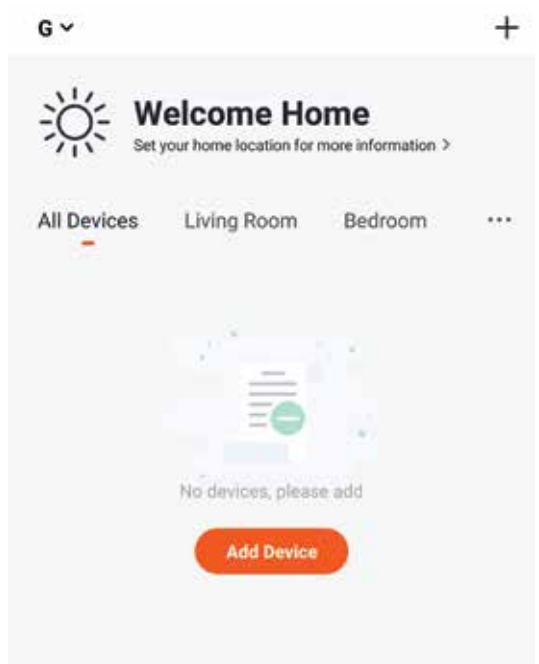


Fig 4

Step 7: To select the device, tap on Home appliances, and then choose "Thermostat" to start Pairing process of the device to the app (Ref Fig 5).

Step 8: Pairing Process

EZ MODE:

A) Turn On the thermostat by pressing the (⏻) power button.

B) Hold the (⏻) power button and (▼) arrow down button for 8 seconds. The backlight will power on and the (📶) wifi icon will start flashing one time per second.

C) On the App, Confirm if the light blinks rapidly, Enter wifi password and click "Confirm" (Ref Fig 6 & 7).

AP MODE:

A) With power off, press and hold the (▼) arrow for eight (8) seconds. The backlight will be on and the icon (📶) will flash one time per second.

B) Press and hold the (▼) arrow for eight (8) seconds again. The icon (🌀) will flash one time every (3) seconds.

C) On the App, Confirm if the light blinks rapidly, Enter wifi password and click "Confirm" (Ref Fig 6 & 7).



Fig 5



Fig 6

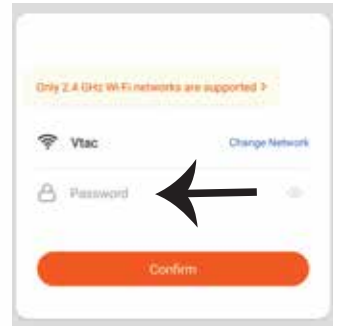


Fig 7



Fig 8

Step 9: Once you have successfully completed step 8, you will be redirected to "Connecting Now" page, where the App searches, registers and initializes the device (ref Fig 8). Once it is completed your device will be successfully paired.

Step10: Once your device is successfully paired, rename the device to your preference. And then tap on completed.

Step11: You can now start controlling your device with the App. Tap the device name on the home page to enter the controls and features of the device.

PROGRAMMING YOUR THERMOSTAT

When your room is established successfully, it will display on the home screen. The round button is to turn on/off your room. Click the line to enter into thermostat programming mode.

(🔌) Power on/off button. When the screen is bright, it is power on; when the screen is dark, it is power off.

(⚙️) Mode button. In this mode you can set cooling, heating and ventilation. (❄️) is heating, (☀️) is cooling, and (🌀) is ventilation.

(🔊 Low >) Fan speed button. Press this button to select auto, low, medium and high speed. (🔄) is auto speed, (🌀) is low speed, (🌀) is medium speed, and (🌀) is high speed.

(👉) Manual button - In this mode the heating can be set manually (i.e. NOT using the pre-programmed settings)

(🕒) Program button - When this button shows, your thermostat is in program mode and will follow any pre-set heating schedule. When in Manual mode, press the (👉) button to select mode (🕒) and vice versa.

(🌡️) Economy button - In this mode, the temperature will be at 26 degrees. This temperature cannot be changed or adjusted.

(🔒) Lock/Unlock button. If the button is green, the screen is "locked". If button is grey, the screen is "Unlocked".

*Slide the yellow button backwards or forwards to manually adjust the temperature, the temperature will show in the centre of the page. After a few seconds the current room temperature will show.

*When in program mode, click on the schedule setting(at the bottom of the page) to be taken to be schedule page where you can simply click on the working days (MON-FRI) and then the time/temperature. to adjust to your preferred schedule.

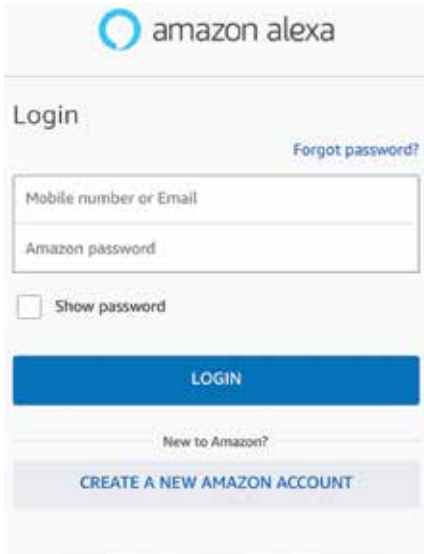
* You can set 6 periods - time and temperature

* Repeat the above after clicking on the Weekend (SAT-SUN) settings at the top of the page

* Once your schedule has been set, click on SAVE and the app will send the programming to your thermostat and confirm the schedule has been saved.

ALEXA SETTINGS


Step1: Install the Amazon Alexa app via the App Store(iOS) or the Play Store (Android) and register. If you already have an existing account with Amazon Alexa, please proceed to logging in.

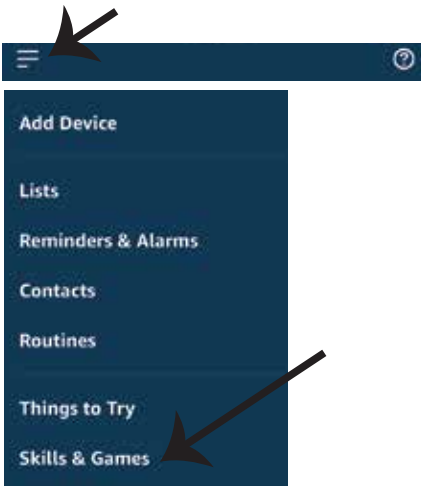


The screenshot shows the Amazon Alexa app's login interface. At the top is the Amazon Alexa logo. Below it is a 'Login' section with a 'Forgot password?' link. There are two input fields: 'Mobile number or Email' and 'Amazon password'. A 'Show password' checkbox is located below the password field. A blue 'LOGIN' button is positioned below the input fields. At the bottom, there is a link for 'New to Amazon?' and a button that says 'CREATE A NEW AMAZON ACCOUNT'.

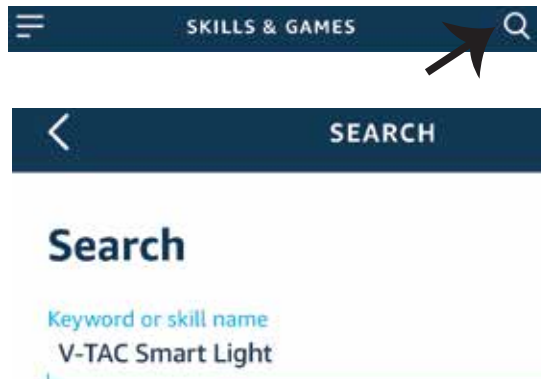
Step2: Once you are on the Amazon Alexa home page, tap on the lower right icon -- where the arrow is pointed-- to add a new device and skill.



Step3: Tap on  settings and tap on "skills and games" as shown below.



Step4: Search for 'V-TAC Smart Light' on the "Skills & Games" page as shown below.



Step5: Enable the Skill.



Step6: Enter your V-TAC Smart Light login ID and password and tap on "Link Now"

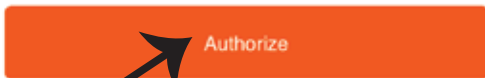


Step7: Once you tap on Link Now, you will be redirected to a new page requesting for authorization (Ref Image below). Tap on "Authorize"

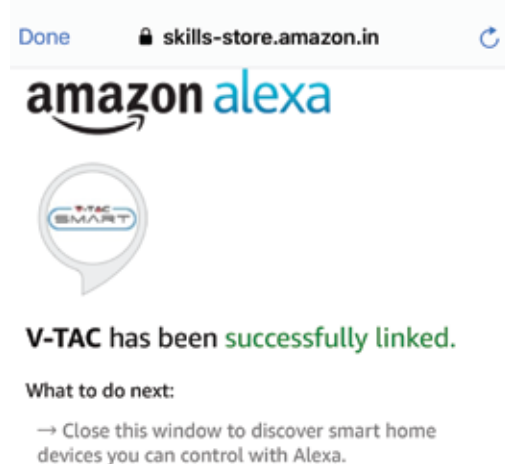


Alexa by Amazon will be able to:


- Receive your public profile
- Control your devices over internet

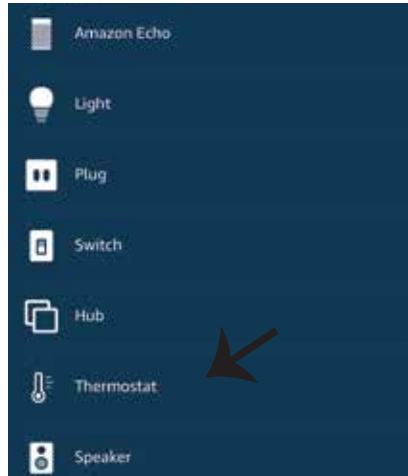
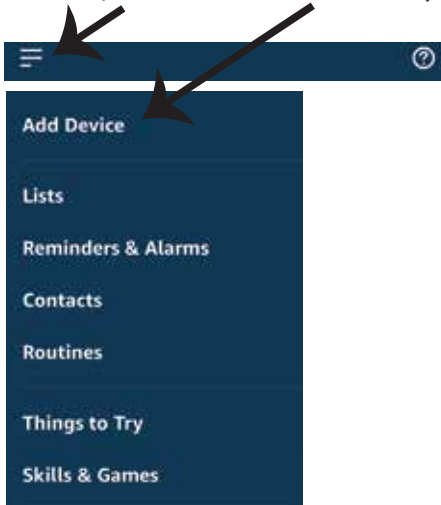


Step8: You will receive confirmation of the account being linked successfully (Ref Image below).



Step8: Discover your smart device on Alexa. Once you have enabled the skill
A) You can use voice command "Alexa discover devices" to the Alexa device which you have.

B) To add device manually on home page tap on  and tap on Add device, select the device which you are adding and tap on discover device.



Note: Discovering the device must be done every time the device's name is changed on the app.

ALEXA Commands

Now, you can control your smart device using voice commands on Alexa. Below are a few example commands of how you can use:

- ! *Alexa, turn on/off the thermostat.*
- ! *Alexa, set the temperature to 22°C*

Note: Set the temperature unit based on your requirement of Celsius/Fahrenheit. Once this has been set, you can now command your device to change the temperature.

THINGS TO REMEMBER BEFORE STARTING INSTALLATION:

1. *V-TAC Smart Light App & Amazon Alexa App*
2. *Make sure you have Amazon Alexa Device(including Echo, Echo Tap, or Echo Dot)*
3. *Smart Device - Thermostat*
4. *Stable Wifi network*

GOOGLE HOME SETTINGS

Step1:

a&b) Install the Google Home app via the App Store (iOS) or the Play Store (Android) and register. If you already have an existing account with Google Home, please proceed to logging in.

c) Create a New Home/Choose from the existing home if any.

d) Power ON the Google Home device and connect it to the App (Then Proceed to step 2).

a. Welcome home

Your content and devices all in one place



GET STARTED >

b. Choose account

This account will be used to personalize your experience

c. Choose a home

You will be able to control the devices and services in this home.

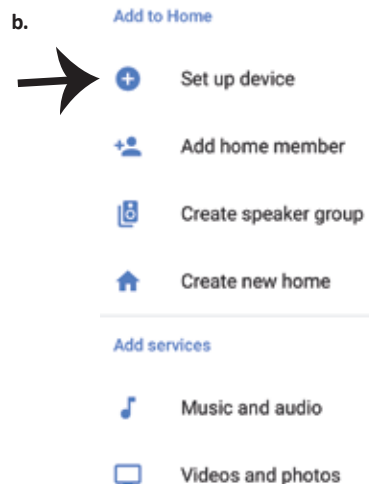
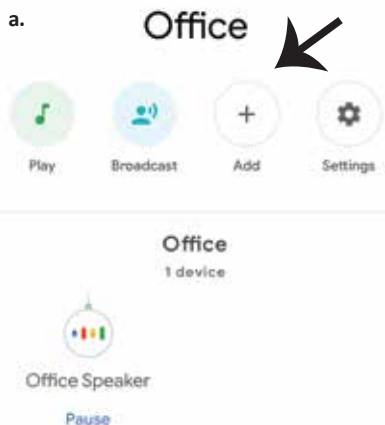
+ Create another home

d. Plug in your device

Make sure your device is nearby and connected to power, then try again

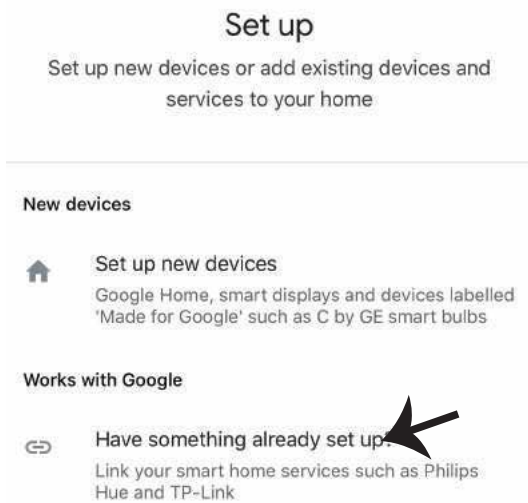


Step2: Once you are on the Google home page, tap on the Add "+" icon– to add a new device and skill. And then tap on Set up device as shown in below image.



Step3: Make sure the Thermostat is paired with V-TAC Smart Light app before starting step 3. Tap on the arrow section as highlighted in the below image.

Step4: Type "V-TAC Smart Light" on the search bar and tap on the icon of "V-TAC Smart Light".



Step5: Sign In with your V-TAC Smart Light Login credentials to Link the Smart Light device

Step6: Tap on Authorize in order to proceed to linking the device.

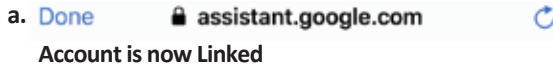


Google will be able to:
Receive your public profile
Control your devices over internet



Step7

- Account will now be linked, please stay on the page you will be redirected in few seconds to select the device to add to your home.
- Select the device and tap on Next as show in image b.

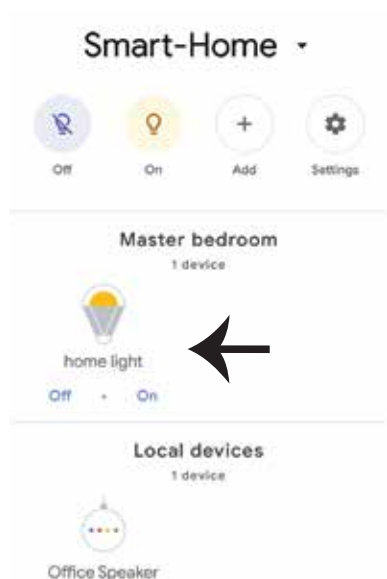
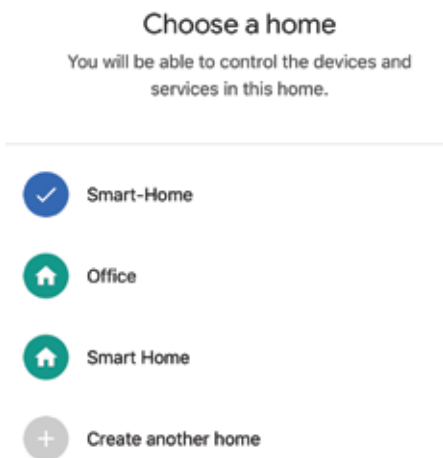


b. Choose device



Step8: Select the Home where you would like to add the Smart Light under. (Or) you can create a New home in order to add the Smart Light to it.

Step9: You have successfully added Smart Light device to your Google home App.



Google Commands:

Now, you can control your smart device using voice commands on Google Home. Below are a few example commands of how you can use your google home device:

- ! *OK Google, turn on/off the thermostat*
- ! *OK Google, set the temperature to 22°C*

*Note: Set the temperature unit based on your requirement of Celsius/Fahrenheit.
Once this has been set, you can now command your device to change the temperature.*

THINGS TO REMEMBER BEFORE STARTING INSTALLATION:

1. *V-TAC Smart Light App & Google Home App*
2. *Make sure you have Google Home Device*
3. *Smart Device - Thermostat*
4. *Stable Wifi network*

In case of any query/issue with the product please reach out to us at support@v-tac.eu
V-TAC EUROPE LTD, Bulgaria, Plovdiv 4000, bul.L.Karavelow 9B
