



**RF CONTROLLER WITH TOUCH REMOTE**

**MODEL NO: VT-2405.**

**SKU: 3312.**

**PRODUCT DESCRIPTION:**

- Adopts Capacitive Touch technology, ultra sensitive.
- With RF remote control, very easy to control RGB LED strips like 5050, 3528, etc.
- With brightness, color and speed adjustable and according to different needs.
- Full color wheel for convenient operation.
- With auto sleep and wake up function, low power consumption and energy conservation.
- Small size and long service life.
- Auto memorizing function, saving your last setting.

**TECHNICAL PARAMETERS**


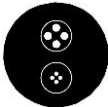
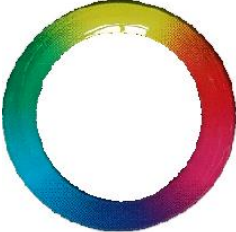


Working temperature	-20-60°C
Supply voltage	DC12V~24V
Output	3 channels
Connecting mode	common anode
Static power consumption	<1W
Output current	<6A(each channel)
Output power	12V<216W; 24V<432W;

The dynamic modes are as below:

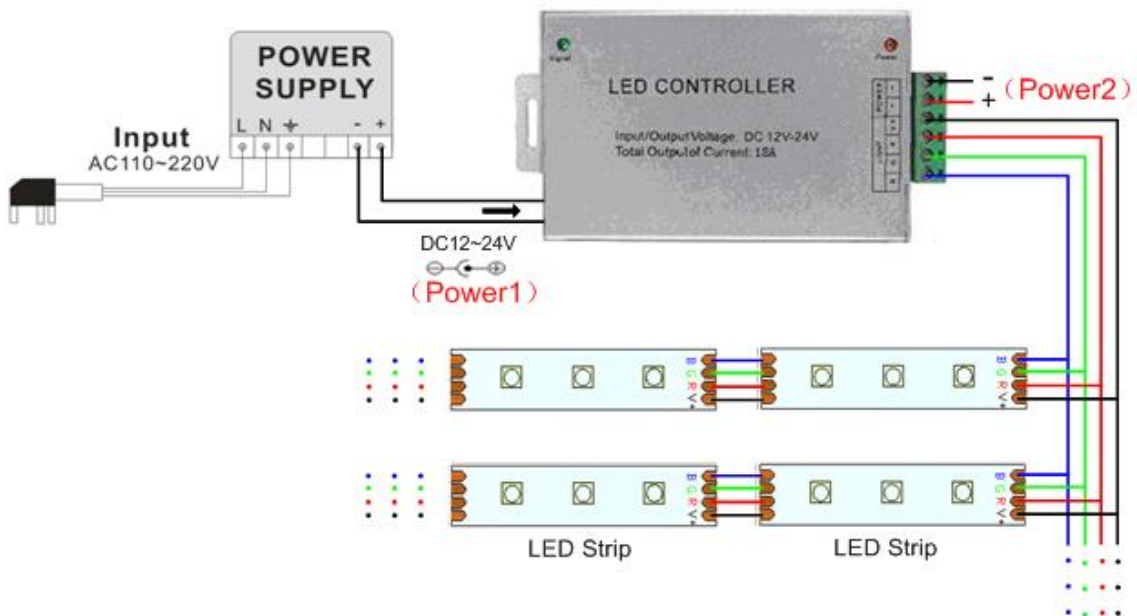
NO	Mode	NO	Mode	NO	mode
1	Three-color gradual changing	7	Yellow strobe-flash	13	Blue cross-fade
2	Seven-color jumpy changing	8	Cyan strobe-flash	14	Yellow cross-fade
3	Seven-color gradual changing	9	Purple strobe-flash	15	Cyan cross-fade
4	Red strobe-flash	10	White strobe-flash	16	Purple cross-fade
5	Green strobe-flash	11	Red cross-fade	17	White cross-fade
6	Blue strobe-flash	12	Green cross-fade		

**REMOTE CONTROL FUNCTION INSTRUCTION:**



Button	Function
	Switch for power on and off. The left button is OFF & the right button is ON.
	The top button is Mode + used to go to the next static mode.
	The bottom button is Mode – used to go back to the previous mode.
	The color wheel is used to change station colors.
	Used to increase the brightness.
	Used to decrease the brightness.

## CONNECTION



## CAUTION

- This products Input voltage is DC12V~24V. Other input voltages are not allowed.
- Lead wire should be connected correctly, according to the wire color and the connecting diagram offers.
- Overloads are prohibited.