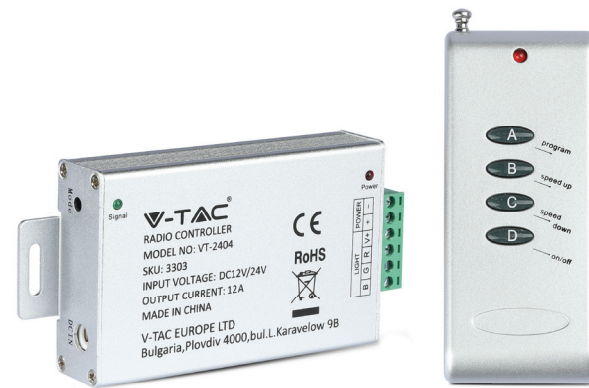


INSTALLATION INSTRUCTION RF CONTROLLER

TECHNICAL DATA:

Model	VT-2404
Output	3 Channels
Static Power Consumption	<1W
Output Current	4A(Each Channel)
Output Power	12V-144W; 24V-288W
Input Voltage	DC: 12-24V



2 YEARS
WARRANTY*

INTRODUCTION & WARRANTY

Thank you for selecting and buying V-TAC product. V-TAC will serve you the best. Please read these instructions carefully before starting the installation and keep this manual handy for future reference. If you have any another query, please contact our dealer or local vendor from whom you have purchased the product. They are trained and ready to serve you at the best. The warranty is valid for 2 years from the date of purchase. The warranty does not apply to damage caused by incorrect installation or abnormal wear and tear. The company gives no warranty against damage to any surface due to incorrect removal and installation of the product. The products are suitable for 10-12 Hours Daily operation. Usage of product for 24 Hours a day would void the warranty. This product is warranted for manufacturing defects only.

WARNING

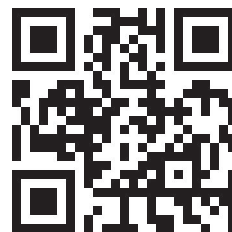
1. Please make sure to turn off the power before starting the installation.
2. Installation must be performed by a certified person.



This marking indicates that this product should not be disposed of with other household wastes.



Caution, risk of electric shock.



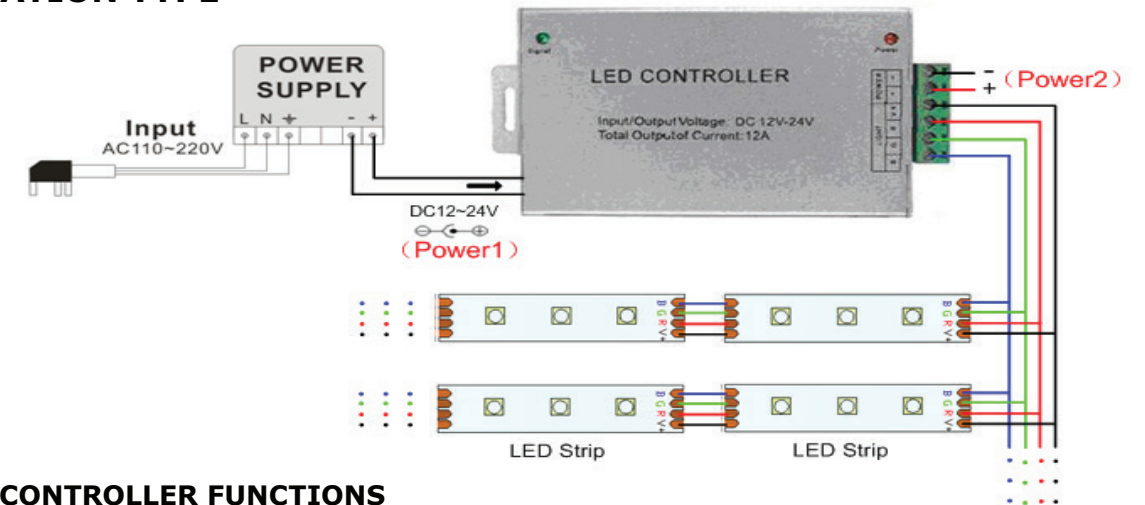
MULTI-LANGUAGE MANUAL QR CODE

Please scan the QR code to access the manual in multiple languages.

PRODUCT DESCRIPTION

RF controller adopts the advanced micro control unit. It is used for controlling a variety of constant voltage LED lights. For instance, led source, flexible led strip, wall washer and so on. You could adjust brightness, static color choices and various dynamic changes in lighting effects through wireless remote control. According to the actual need of customers, it can carry out jumpy changing, gradual changing, strobe flash and other effects of change.

APPLICATION TYPE



REMOTE CONTROLLER FUNCTIONS

Symbol	Button Name	Instruction
	Program	The style/color function key. You can choose different color changes, each press one time, change a light style.
	Speed up	To speed up lighting color changing, with continuous reception.
	Speed down	To speed down lighting color changing, with continuous reception.
	On/Off	The output switch, turn on or off the controller output at any state.

- Press each time, the green light flash one time, indicating that has entered the next state.
- Standard color changes as follows:

Items	Patterns	Remarks
1	Static red	2(B) and 3(C) keys are used to adjust brightness
2	Static green	
3	Static yellow	
4	Static blue	
5	Static purple	
6	Static cyan	
7	Static white	
8	Three-color jumpy changing	2(B) and 3(C) keys are used to adjust changing speed
9	Seven-color jumpy changing	
10	Three-color gradual changing	
11	Seven-color gradual changing	



CAUTION

- This product's Input voltage is DC12V~24V. Other input voltages are not allowed.
- Ensure that the lead wires are connected correctly, according to the wire color and as per the above diagram.
- Overloads are prohibited.