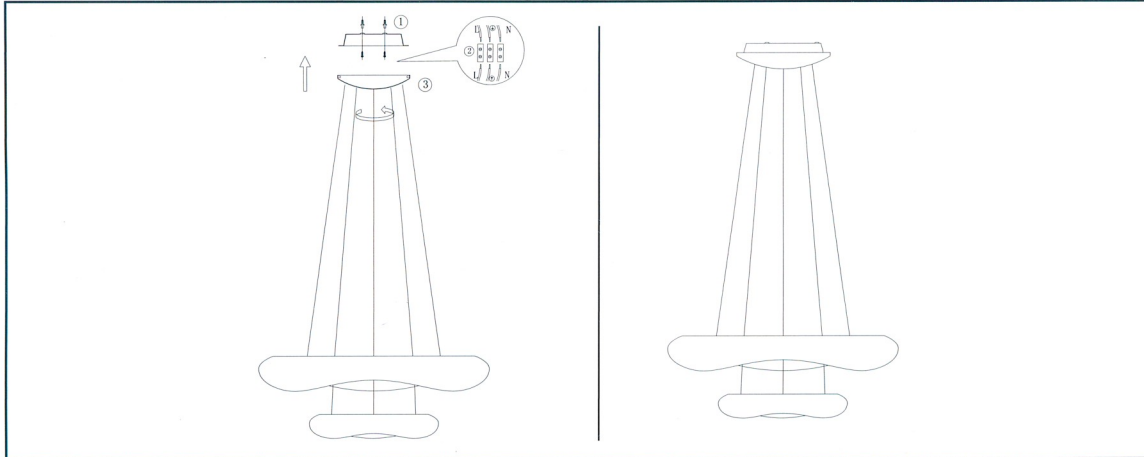




INNOVATIVE LED LIGHTING

INSTRUCTION MANUAL

MODEL: VT-7606



TECHNICAL PARAMETERS

- * With Color changing Dimmable function
- * Adjust Color temp from 3000K/4000K/5000K
- * With 2.4G Remote control for easy operation
- * *Traic Dimming*
- * AC Voltage: AC 220-240V. 50/60Hz
- * Material: Aluminum + PC lamp body
- * Protection Rating: IP20 (for Indoor use only)

INSTALLATION

Please insure the power is TURN OFF during Installation process.

- 1、 Fix the ceiling plate with screw.
- 2、 Fix the ceiling plate to the ceiling with screw.
- 3、 Then fix the ceiling base to the ceiling plate with screw accordingly.
- 4、 Turn on the lamp to check the light.

Attentions

Cut off the power before installation

The installation must be operated by professional technician.

Change the lamp shade in case if its broken

Cut off the power in case of abnormal performance and contact professional technician or local dealer.

Maintenance

Cleaning and checking the lamp on time for safety and better performance.

Cut off the power before cleaning.

* Suitable for 10-12Hours Daily, Usage of the product for 24Hours a Day would void the Warranty

++LED wireless remote control operate manual

一、 Remote control button functions

Button using manual

Turn on button: Press turn on button shortly, the fixture is on. And match code, long press turn on button within 4S after connecting power supply successfully, long press turn on button is no any effect after connecting power supply successfully over 4S.

Turn off button: Press turn off button shortly, the fixture is off. And clear code, long press turn off button within 4S after connecting power supply successfully, long press turn off button is no any effect after connecting power supply successfully over 4S.

Cold light +: 1. Press cold light shortly, the lighting fixture will add one grade brightness, in the meanwhile, the warm light of lighting fixture reduce one grade brightness. There is total 15 different brightness grades from cold light to turn off light to turn on light.

2. Long press cold light button, cold light of lighting fixture become brighter gradually, at the same time the warm light of lighting fixture become darker.

Warm light +: 1. Press warm light shortly, the lighting fixture will add one grade brightness, in the meanwhile, the cold light of lighting fixture reduce one grade brightness. There is total 15 different brightness grades from warm light to turn off light to turn on light.

2. Long press warm light button, warm light of lighting fixture become brighter gradually, at the same time the cold light of lighting fixture become darker.

Brightness +: 1. Shortly press this button, cold light and warm light of lighting fixture would add more one grade brightness, there is total 11 brightness grades from the lowest brightness to the highest brightness.

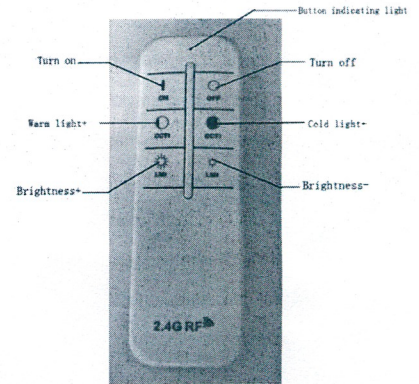
2. Long press this button, cold light and warm light of lighting fixture would be more brighter gradually at the same time.

Brightness -: 1. Shortly press this button, cold light and warm light of lighting fixture would reduce one grade brightness, there is total 11 brightness grades from the lowest brightness to the highest brightness.

2. Long press this button, cold light and warm light of lighting fixture would be darker gradually at the same time.

Button indicating light: using way as below :

Attention: Customer can adjust warm light and cold light settings according to power supply and fixture.



Function manual

1. Match Code function

The remote control only can be used after matching code with the LED lamps, methods the following:

Turn off LED power supply above 10S, and then turn on LED power supply, long press turn on button within 4s at one time, if LED lamp flash one time slowly it means match code successfully, so the remote control can adjust warm light, cold light and brightness of lighting fixture. Attention: Lighting fixture only can control by last match code successfully remote control.

For instance, one lighting fixture can match code with many remote controls successfully, but only last remote control can control this lamp, previous remote control record would be auto clear by the system.

2 Clear code function Turn off LED power supply above 10S, and then turn on LED power supply, long press turn off button within 4s at one time, if LED lamp flash twice slowly it means clear code successfully.

Attention: Clear code function base on fixture already match code, if not long press turn off button without any effect.

For example: ① There is no clear code function, if this remote control do not match code with fixture first ② Finish match code and then clear code ③ If fixture already match code and then you use another new remote control to match code again, the previous remote control record would be auto clear by system, so without clear code function now.

3. Remote control with remember record function after powering off

Fixture brightness and match code record will keep stay on LED remote control's storage after using remote control adjust fixture brightness. So it can use previous remote control to control previous lamp after powering on